

Developed with funds provided by the
National Science Foundation

Some items on this assessment were drawn from existing
databases of items, such as released items from the TIMSS.

NAME _____

DATE _____

Read each question and circle the letter of the best answer.

The picture shows what Rena saw on her stopwatch when she timed her brother running.

- How much time does the stopwatch show?
 - 10 hours and 27 minutes
 - 10 minutes and 27 seconds
 - 10 seconds and 27 hundredths of a second
 - 10 and 27 hundredths of a second

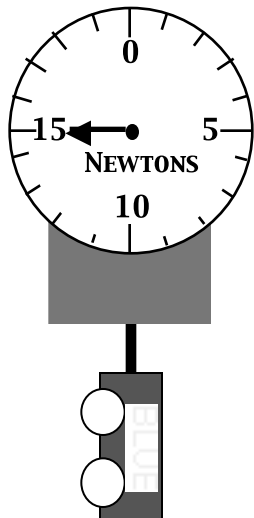


- How should Rena record the time shown on the stopwatch?
 - 10.27 hours
 - 10.27 minutes
 - 10.27 seconds
 - 10.27 hundredths of a second

- The pictures show what Rena saw on her stopwatch three different times.
Which stopwatch shows the least amount of time?



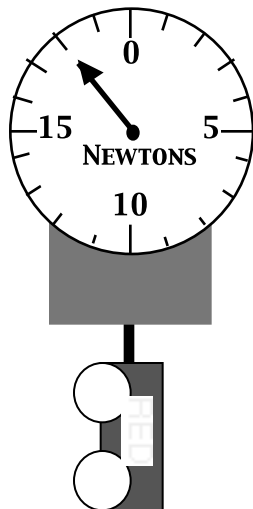
The drawing shows a spring scale with a BLUE cart hanging from it.



4. How much force does it take to hold up the BLUE cart?

- a) 5 Newtons
- b) 10 Newtons
- c) 15 Newtons
- d) cannot tell

The drawing shows a spring scale with a RED cart hanging from it.

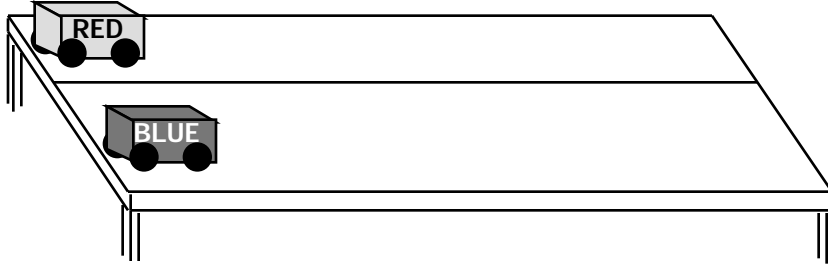


5. How much force does it take to hold up the RED cart?

- a) 15 Newtons
- b) 18 Newtons
- c) 30 Newtons
- d) cannot tell

Read each question and circle the letter of the best answer.

The drawing shows two carts on a counter that is two meters long. The RED cart is much heavier than the BLUE cart. They were pushed the same way to start, and they were timed traveling in a straight line to the end of the counter.



The table below shows the times that each cart took to reach the end of the counter, in four trials.

| Trials | Distance (meters) | RED Cart | BLUE Cart |
|--------|-------------------|----------------|----------------|
| | | Time (seconds) | Time (seconds) |
| 1 | 2 | 11 | 4 |
| 2 | 2 | 10 | 5 |
| 3 | 2 | 9 | 6 |
| 4 | 2 | 10 | 5 |

6. How much time did it take the RED cart get to the end of the counter in Trial 2?
- 2 seconds
 - 5 seconds
 - 10 seconds
 - 40 seconds
7. How much time did it take the BLUE cart get to the end of the counter in Trial 2?
- 2 seconds
 - 5 seconds
 - 10 seconds
 - 20 seconds
8. Which statement makes the best claim about these data?
- Carts take different amounts of time to get to the end of a counter.
 - The heavier a cart is, the more time it takes it to go the same distance as a lighter cart.
 - Red carts take more time than Blue carts to get to the end of a counter.
 - The longer the time a cart takes to go a certain distance, the slower the cart is.

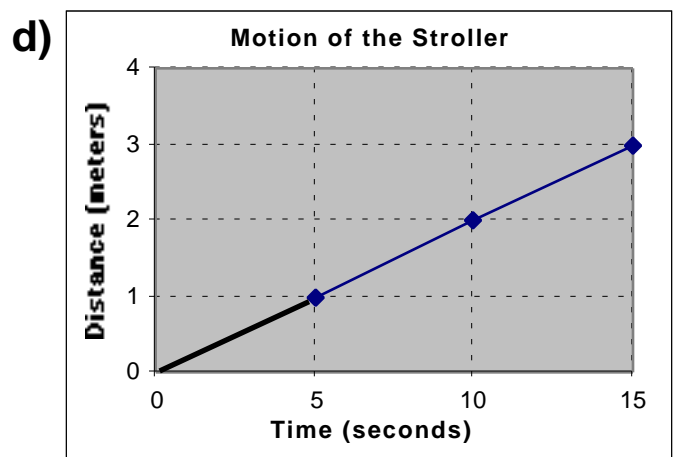
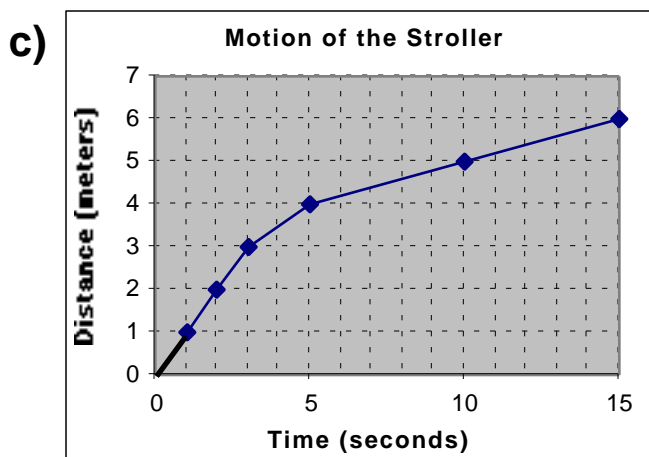
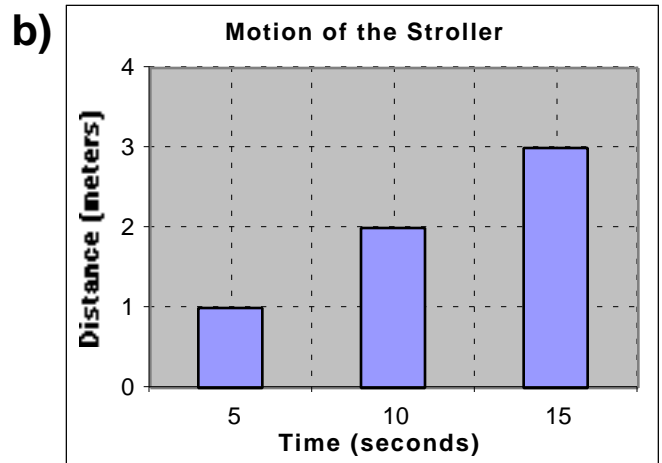
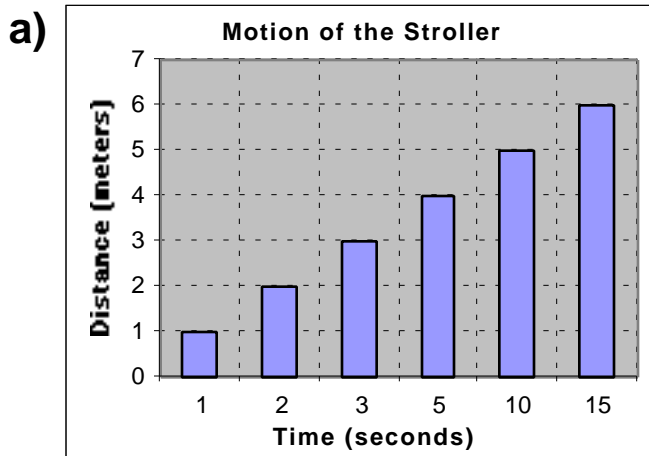
Read each question and circle the letter of the best answer.

The drawing shows Deon pushing a stroller down a sidewalk. He measured how much time it took to travel from one line to the next in the sidewalk. The table shows what he measured.



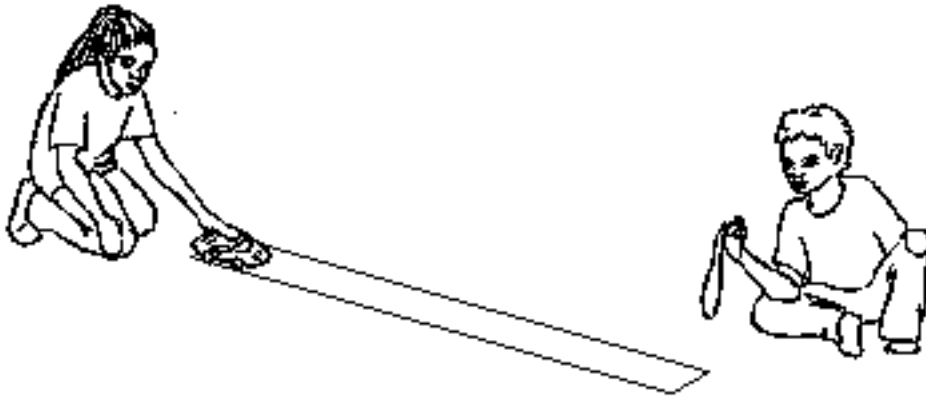
| Distance (meters) | Time (seconds) |
|----------------------|-------------------|
| 1 | 5 |
| 2 | 10 |
| 3 | 15 |

9. Which is the best graph of the motion of the stroller?



Read each question and circle the letter of the best answer.

The drawing shows how Jada gave her toy car a push to see how fast it would go. Jamal measured the time the car took to get to the end of the 100-centimeter track. The table shows their data.

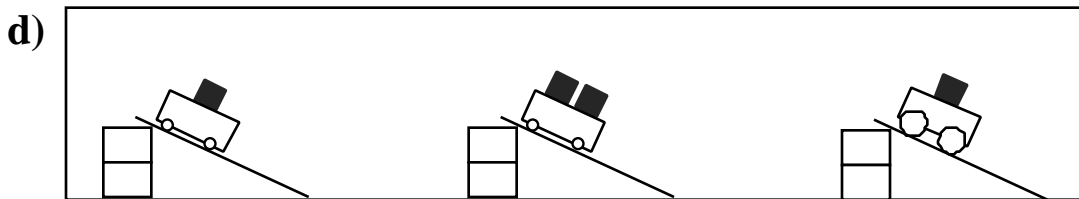
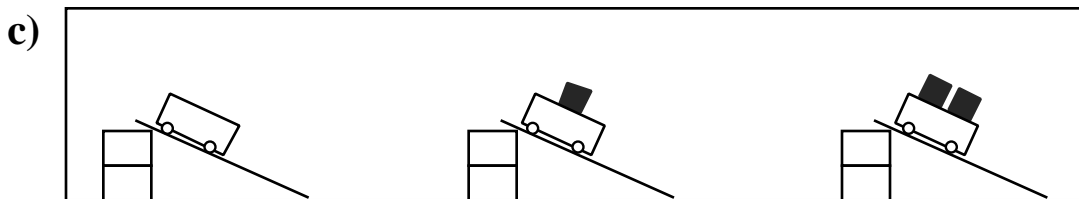
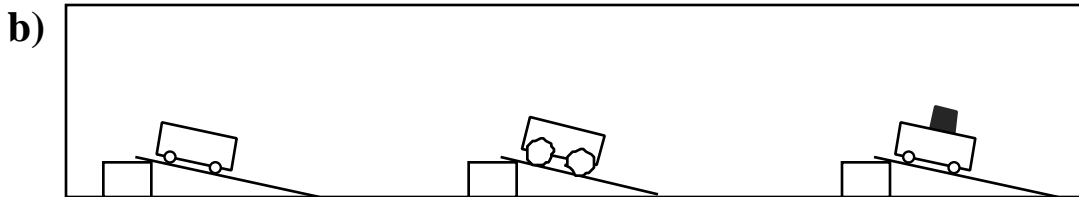
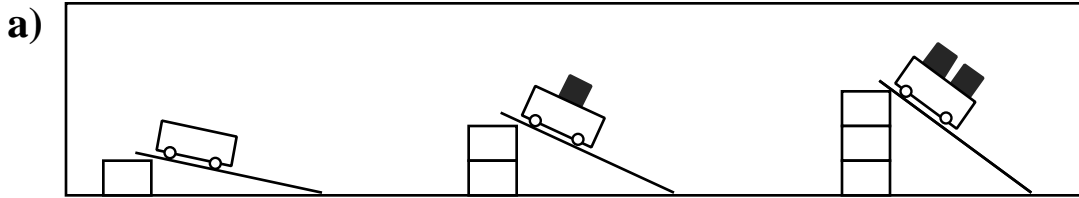


| | Distance | Time |
|--------|---------------|-----------|
| Trials | traveled (cm) | (seconds) |
| 1 | 100 | 10 |
| 2 | 100 | 8 |
| 3 | 100 | 9 |
| 4 | 100 | 13 |

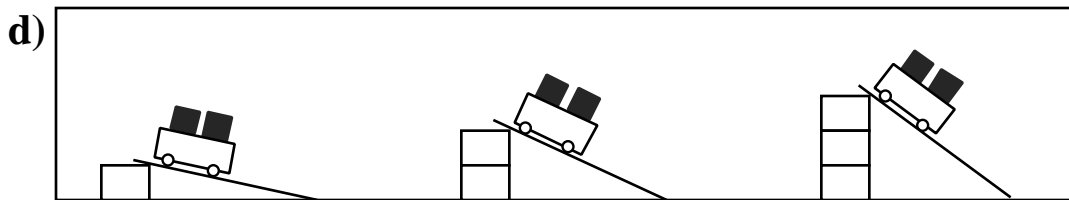
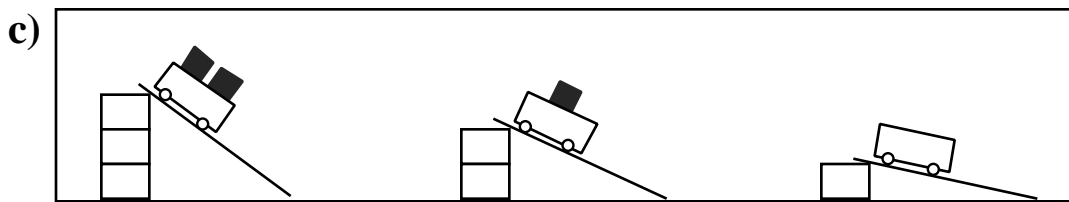
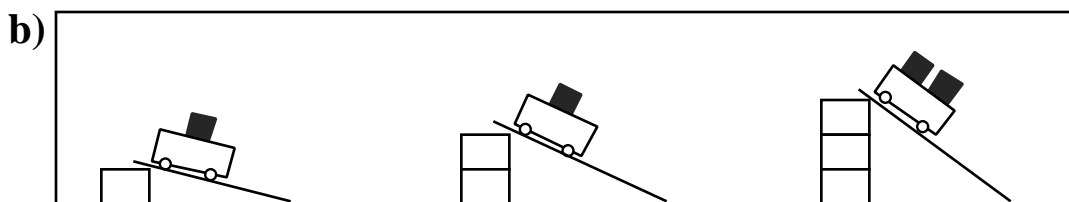
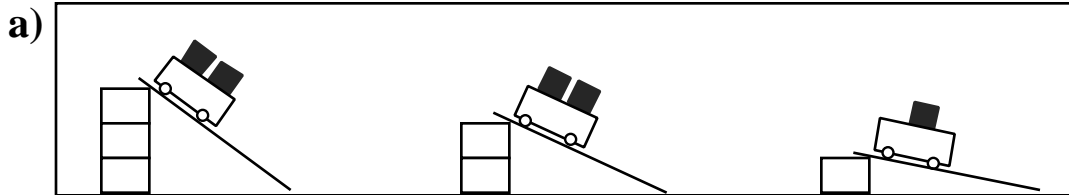
10. In Trial 1, how much time did it take the car to reach the end of the track?
- 8 seconds
 - 10 seconds
 - 13 seconds
 - 150 seconds
11. What was the average time it took Jada's car to reach the end of the track?
- 8 seconds
 - 10 seconds
 - 13 seconds
 - 40 seconds
12. Why do you think the car took different amounts of time to reach the end of the track? Circle all of the choices that might be correct.
- Jada pushed the car differently.
 - Jamal did not time the car the same way each time.
 - Jada gave the car a push from different starting places.
 - Jamal stopped the timer when the front of the car got to the end of the track.

Abdul carried out different tests with carts with different sized wheels. He started them from different heights and sometimes put blocks in the carts. The blocks he used were of equal mass.

13. Abdul wants to test the idea that *The heavier a cart is the greater its speed at the bottom of a ramp.*
Which set of tests in the drawings below should he use to investigate this idea?



14. Another idea Abdul wanted to test is: *The higher a cart, the greater its speed at the bottom of a ramp.* Which set of tests in the drawings below should he use to investigate this idea?



The drawing shows Shondelle getting ready to launch her rocket. She launched it four times, changing the amount of force each time.

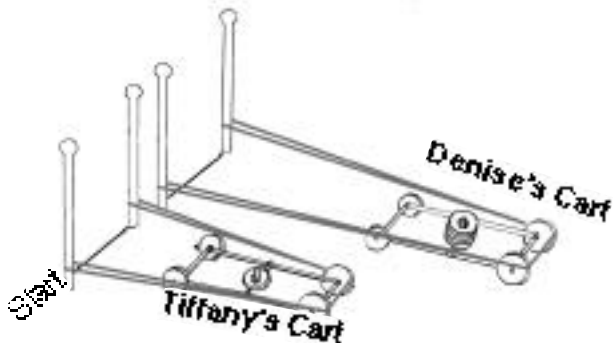


This table shows Shondelle's data.

| Launch | Force (N) | Height (m) |
|--------|-----------|------------|
| 1 | 1 | 30 |
| 2 | 2 | 60 |
| 3 | 5 | 120 |
| 4 | 10 | 150 |

15. How much force did it take to make the rocket go 60 meters?
- a) 1 Newton
 - b) 2 Newtons
 - c) 5 Newtons
 - d) 10 Newtons
16. What is the best claim you can make from these data?
- a) The heavier an object, the more force it takes to move it.
 - b) The more launches, the farther an object will travel.
 - c) The more force applied to an object, the farther it will travel.
 - d) The higher an object, the more force it has.

The picture shows how Denise and Tiffany started their carts with a rubberband. Denise's cart had more washers, and it was pulled back farther to start.



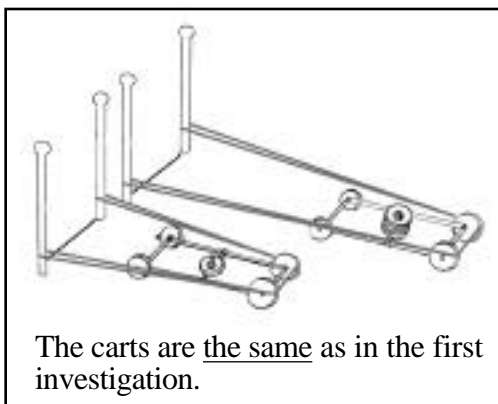
Denise and Tiffany investigated the motion of the carts *after* the carts crossed the starting line. They found that *Denise's* cart went faster.

Denise claimed: *My cart went faster because I pulled it back farther at the start.*

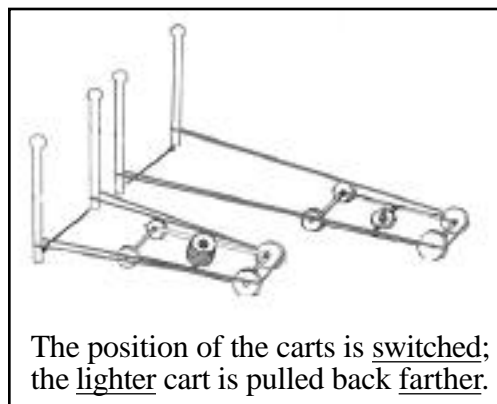
Tiffany claimed: *Your cart went faster because it was heavier.*

17. Which set up should Denise use to investigate her claim?

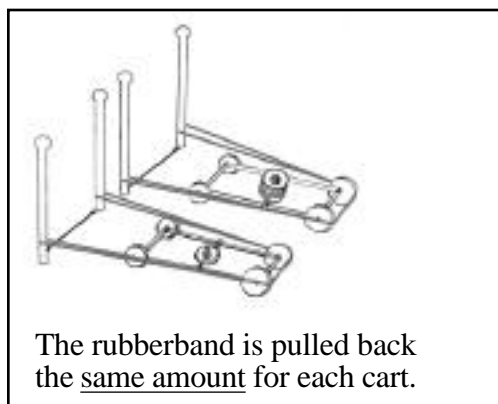
a)



b)



c)



d)

